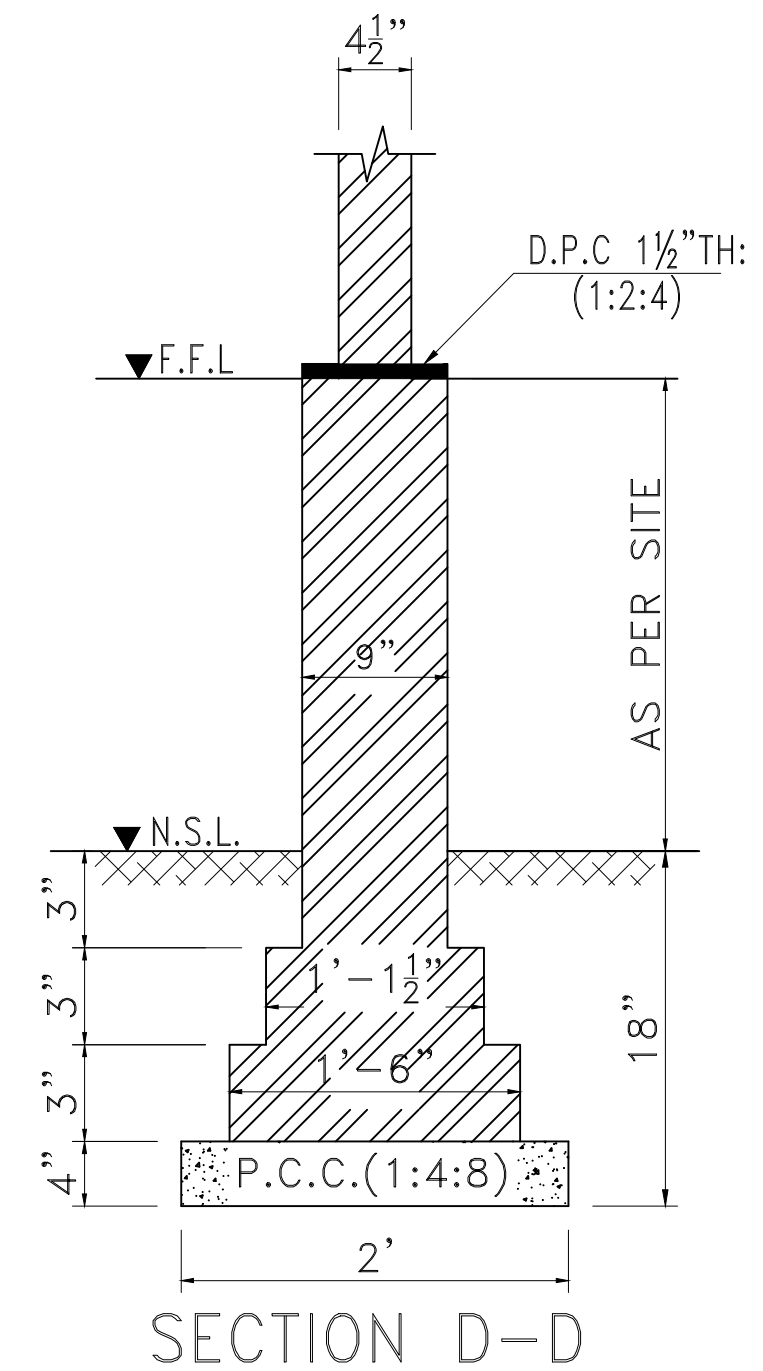
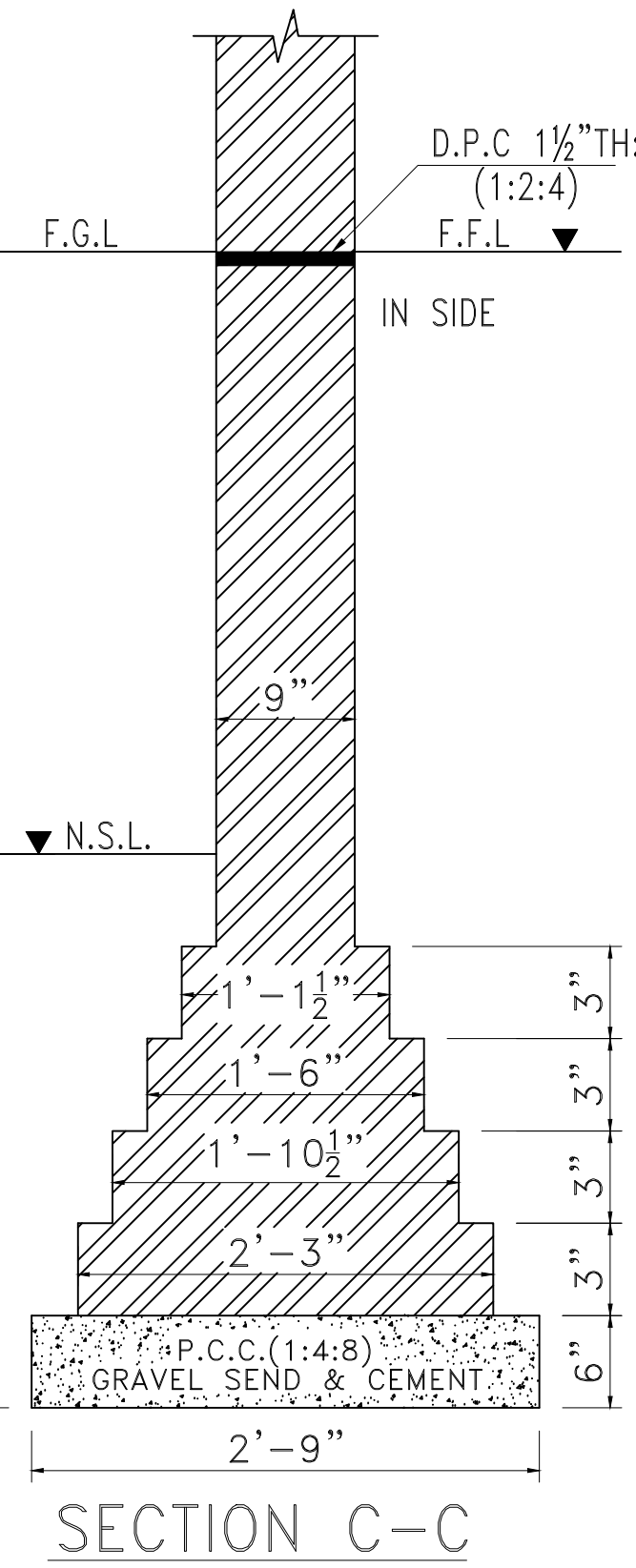
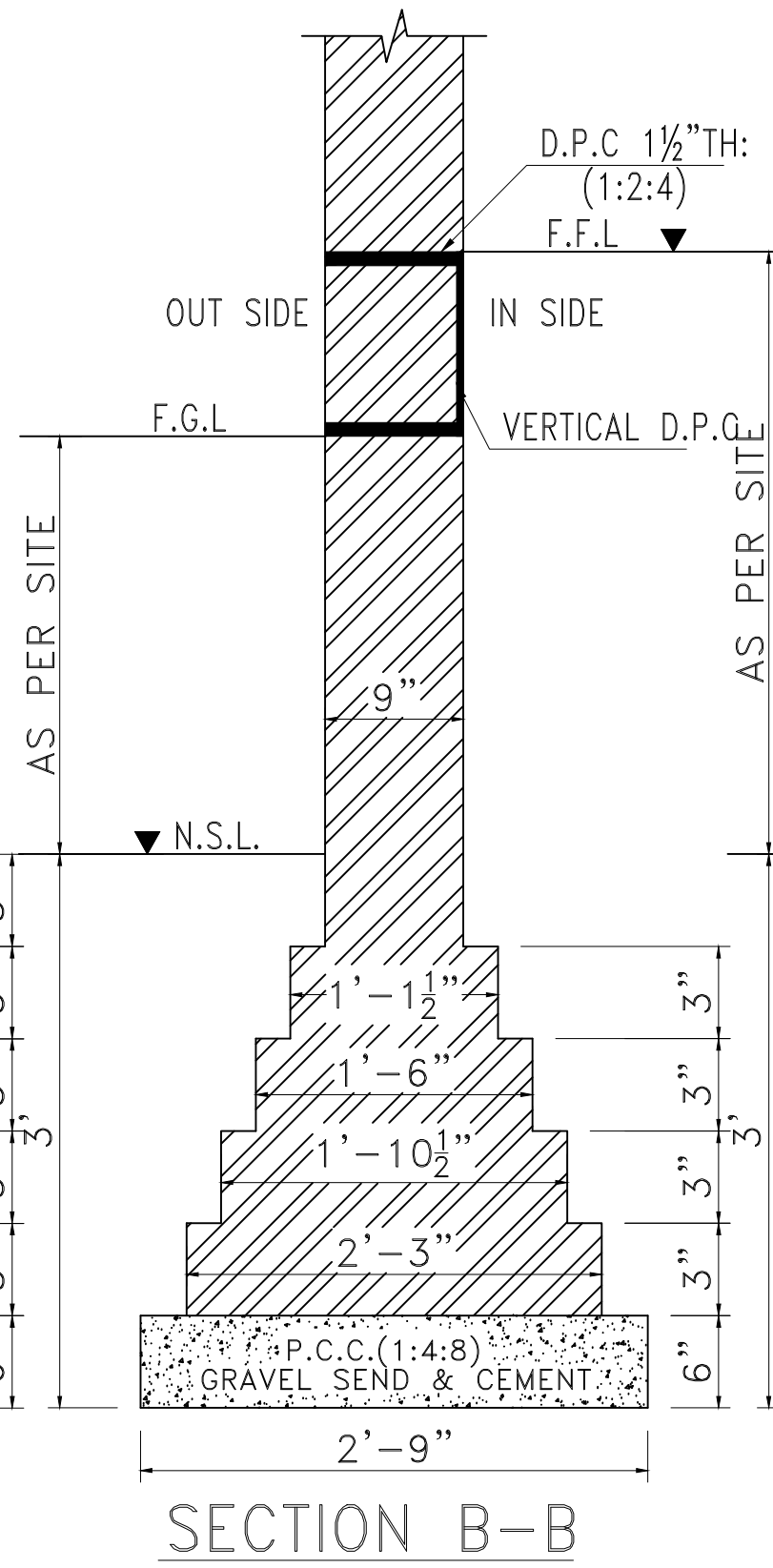
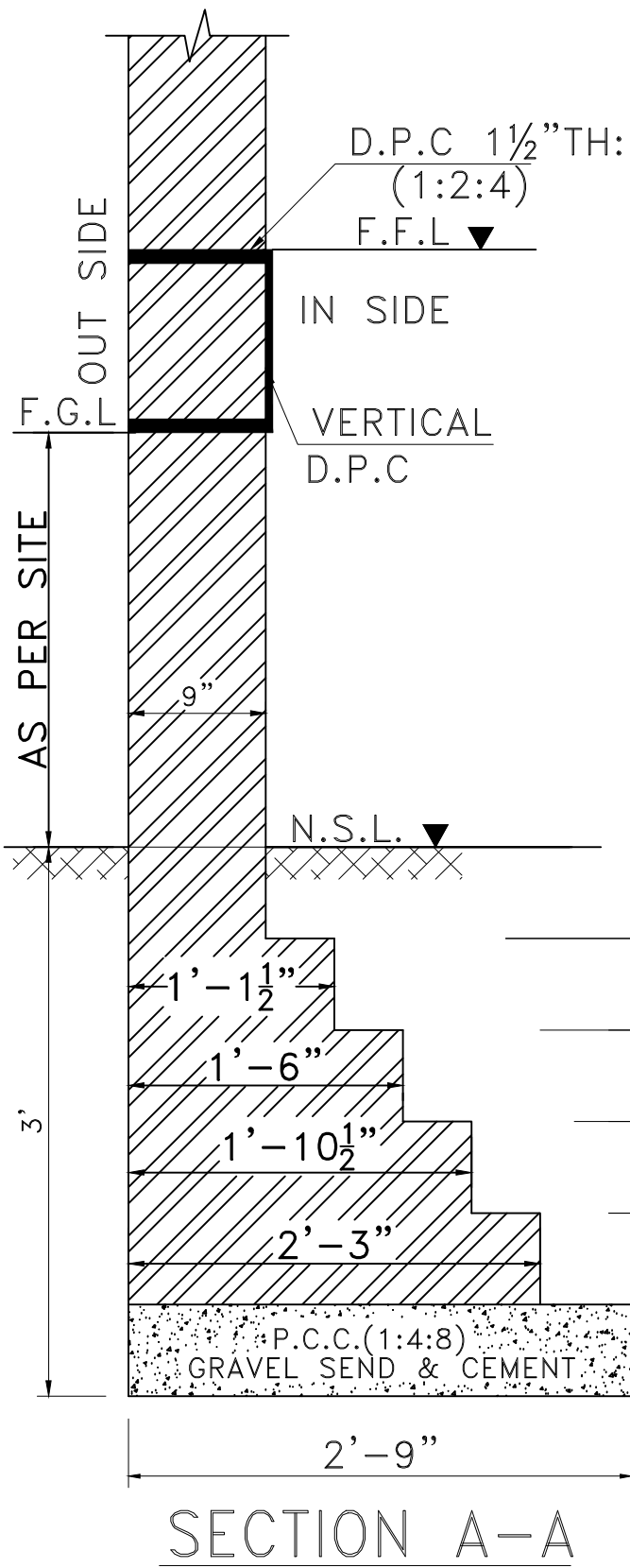
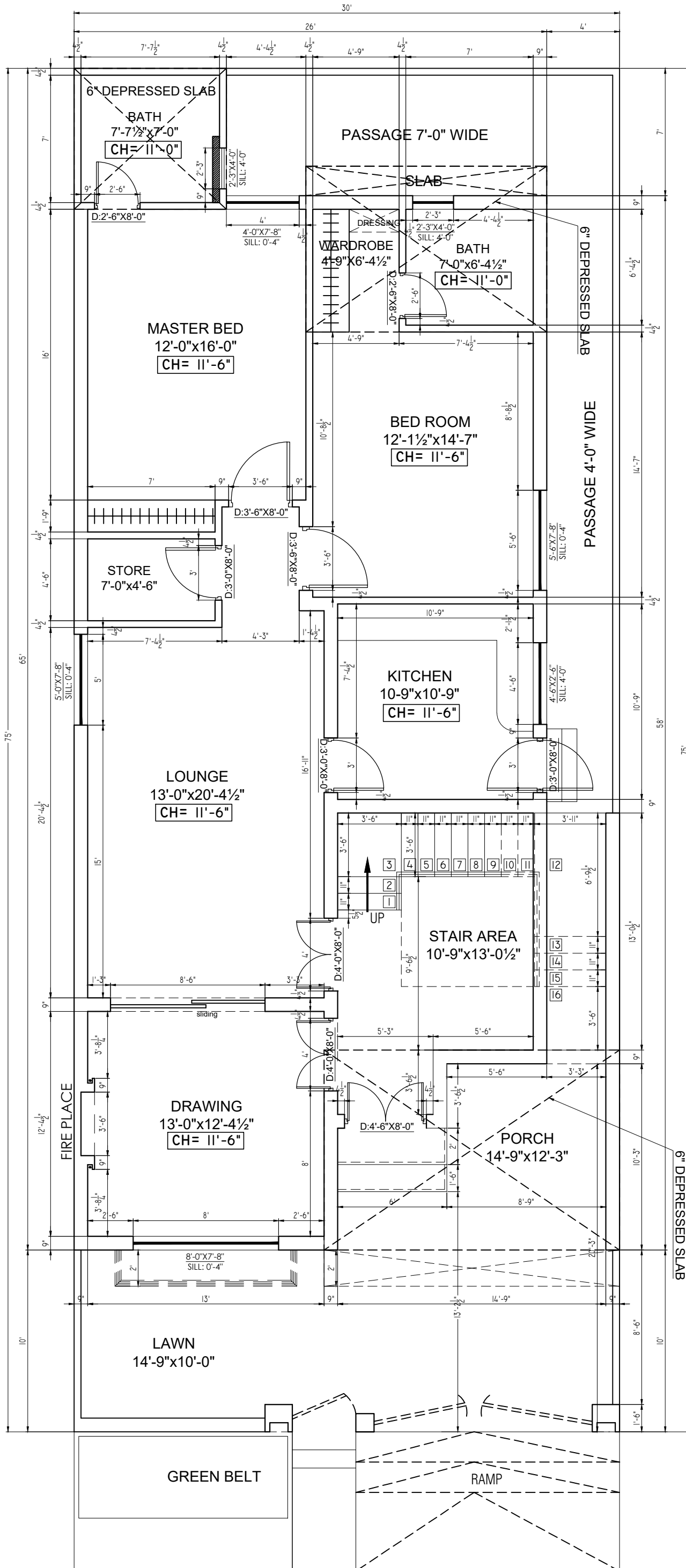
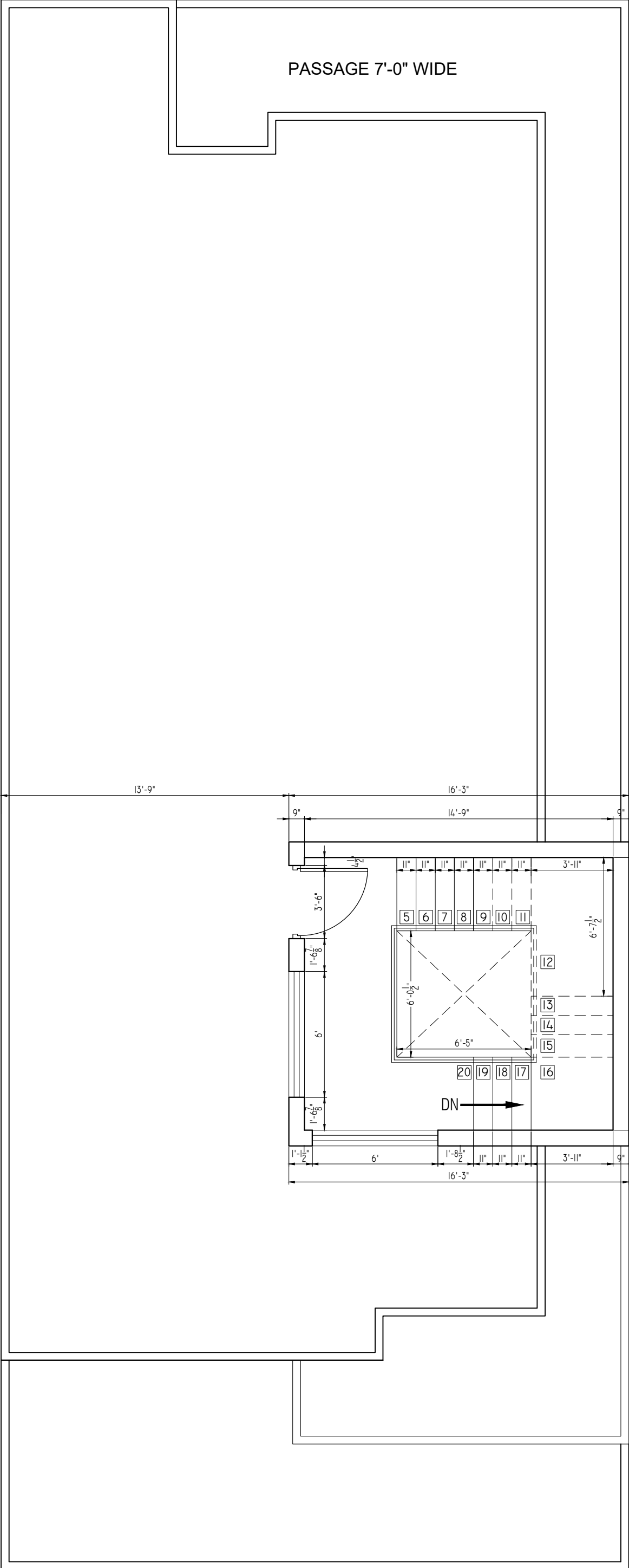


GROUND FLOOR EXCAVATION

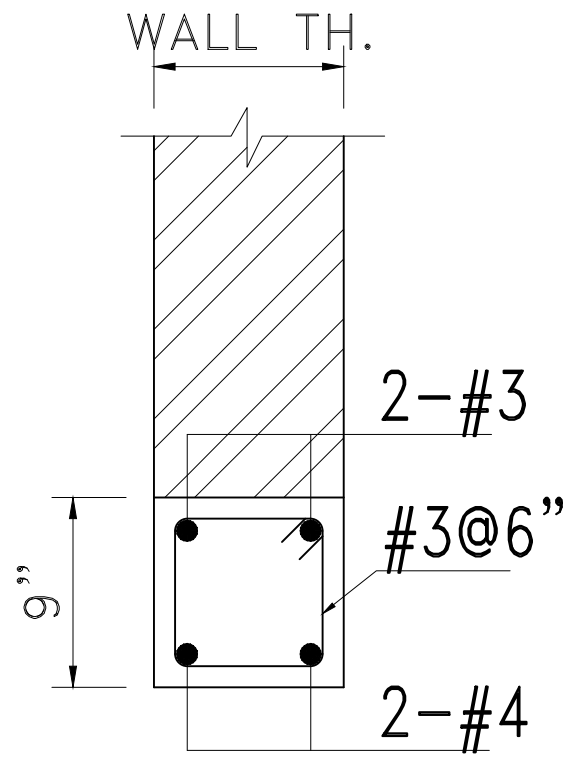




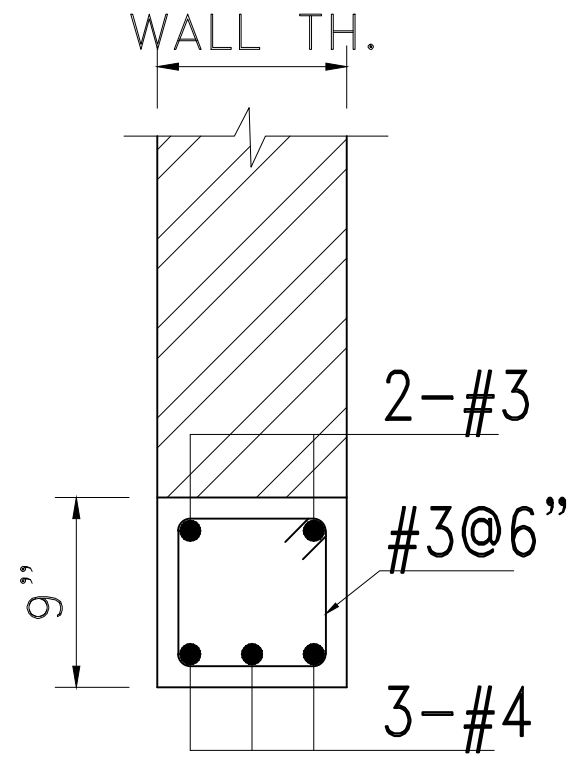
ROAD **GROUND FLOOR**



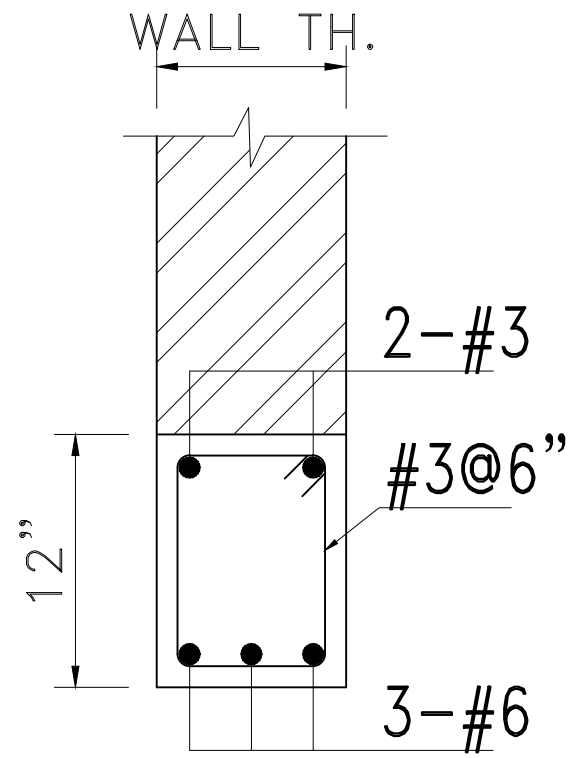
TOP FLOOR



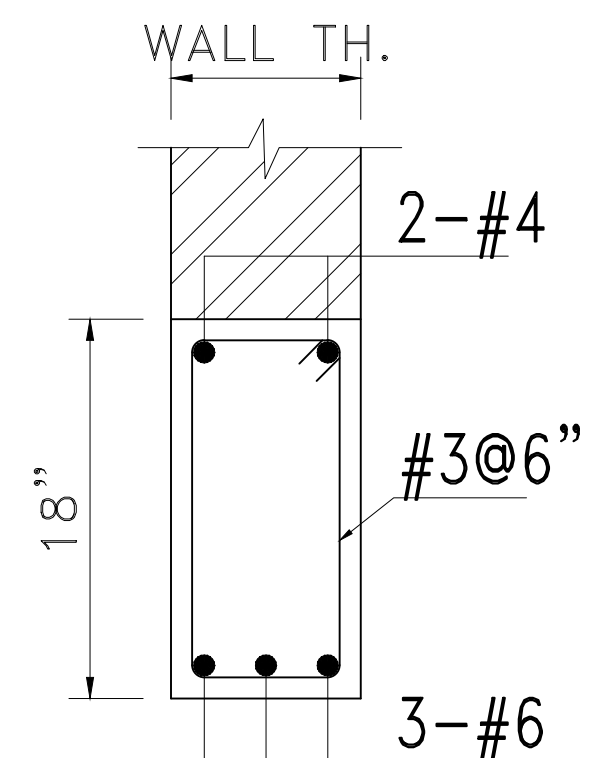
FOR SPAN
UPTO 5'-0"



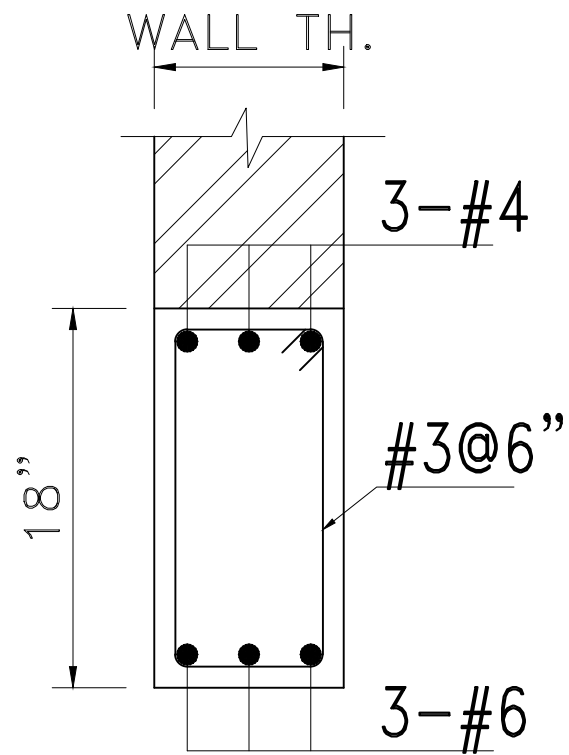
FOR SPAN
UPTO 6' TO 8'



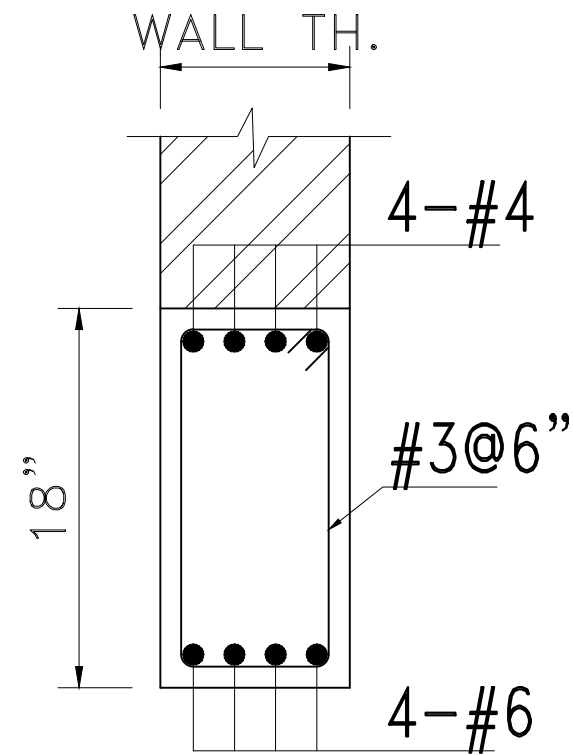
FOR SPAN
UPTO 9' TO 10'



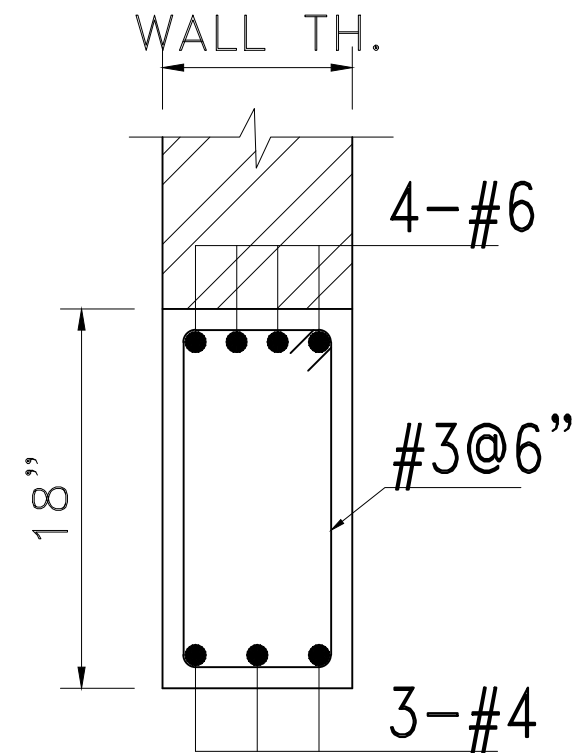
FOR SPAN
UPTO 11' TO 12'



FOR SPAN
UPTO 13' TO 14'



FOR SPAN
UPTO 15' TO 18'



CORNER WINDOW(TYPICAL)